

Continental[®]

E l e c t r i c

INSTRUCTION MANUAL



CHEST FREEZER

**MODEL:
CE64731**

SAFETY PRECAUTIONS

Read all of the instructions before using this appliance. When using this appliance, always exercise basic safety precautions, including the following:

1. Use this appliance only for its intended purpose as described in this use and care guide.
2. This freezer must be properly installed in accordance with the installation instructions before it is used. See grounding instructions in the installation section.
3. Never unplug your freezer by pulling on the power cord. Always grasp the plug firmly and pull straight out from the outlet.
4. Repair or replace immediately, all electric service cords that have become frayed or otherwise damaged. Do not use a cord that shows cracks or abrasion damage along its length, the plug or the connector end.
5. Unplug your freezer before cleaning or before making any repairs.
Note: If for any reason this product requires service, we strongly recommend that a certified technician performs the service.
6. Do not use any electrical device or any sharp instrument in defrosting your freezer.
7. If your old freezer is not being used, we recommend that you remove the doors. This will reduce the possibility of danger to children.
8. After your freezer is in operation, do not touch the cold surfaces in the freezer compartment, particularly when hands are damp or wet. Skin may adhere to these extremely cold surfaces.
9. Do not refreeze foods, which have been thawed completely. The United States Department of Agriculture in Home and Garden Bulletin No. 69 reads: "...You may safely refreeze frozen foods that have thawed if they still contain ice crystals or if they are still cold-below 40°F".

"...Thawed ground meats, poultry, or fish that have any off-odor or off-color should not be refrozen and should not be eaten. Thawed ice cream should be discarded. If the odor or color of any food is poor or questionable, discard it. The food may be dangerous to eat."

"...Even partial thawing and re-freezing reduce the eating quality of foods, particularly fruits, vegetables, and prepared foods. The eating quality of red meats is affected less than that of many other foods. Use refrozen foods as soon as possible, to save as much of its eating quality as you can."

10. This refrigerator should not be recessed or built-in an enclosed cabinet. It is designed for freestanding installation only.
11. Do not operate your refrigerator in the presence of explosive fumes.

SAVE THESE INSTRUCTIONS

For Future Reference Please

DANGER

Risk of child entrapment. Before you throw away your old refrigerator or freezer, take off the doors. Leave the shelves in place so that children may not easily climb inside.

Thank you for using our product. This easy-to-use manual will guide you in getting the best use of your freezer.

Remember to record the model and serial number. They are on a label in back of the freezer.

Model number

Serial number

Date of purchase

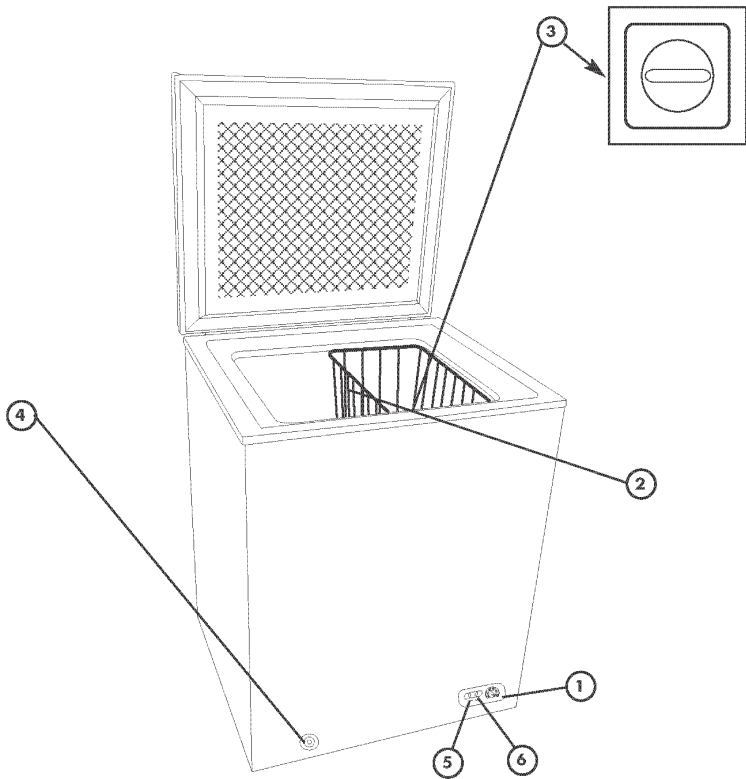
Staple your receipt to your manual.

You will need it to obtain warranty service.

Table Of Contents

	PAGE
Safety Precautions	1
Parts And Features	4
Installing Your Freezer	5
Unpacking Your Freezer	5
Adjusting Your Freezer	5
Proper Air Circulation	5
Electrical Requirements	6
Use of Extension Cords	6
Install Limitations.....	6
Freezer Features And Use	7
Operating Your Freezer	7
General Features	7
Food Storage Baskets	8
Defrosting And Draining	8
Food Storage Information	9
Normal Operating Sounds	9
Proper Freezer Care and Cleaning	10
Cleaning and Maintenance	10
Power Interruptions	11
Vacation and Moving Care	11
Troubleshooting	12
Warranty Information	14

Parts And Features



1. Temperature Control Adjustment
2. Vinyl Coated Wire Basket
3. Interior Drain Plug (see insert)
4. Exterior Drain Plug
5. Power on Indicator (red)
6. Compressor on Indicator (green)

Installing Your Freezer

Unpacking Your Freezer

1. Remove all packaging material. This includes the foam base and all adhesive tape holding the freezer accessories inside and outside.
2. Inspect and remove any remains of packing, tape or printed materials before powering on the freezer.

Adjusting Your Freezer

- Your freezer is designed for freestanding installation only. It should not be recessed or built-in.
- Place the freezer on a floor strong enough to support it fully loaded.
- When moving the freezer, never tilt it more than a 45-degree angle. This could damage the compressor and the sealed system.
- If the freezer is tilted let it stand in an upright position for at least 24 hours prior to plugging. This is to allow the refrigerant to settle.

Proper Air Circulation

- To assure your freezer works at the maximum efficiency it was designed for, you should install it in a location where there is proper air circulation, plumbing and electrical connections.
- The following are recommended clearances around the refrigerator:
Sides.....4" (102mm)
Top.....4" (102mm)
Back.....4" (102mm)

Electrical Requirement

- Make sure there is a suitable power Outlet (220volts, outlet) with proper grounding to power the freezer.
- Avoid the use of three plug adapters or cutting off the third grounding in order to accommodate a two plug outlet. This is a dangerous practice since it provides no effective grounding for the freezer and may result in shock hazard.

Use of Extension Cord

- Avoid the use of an extension cord because of potential safety hazards under certain conditions. If it is necessary to use an extension cord, use only a 3-wire extension cord that has a 3-blade grounding plug and a 3-slot outlet that will accept the plug. The marked rating of the extension cord must be equal to or greater than the electrical rating of the appliance.

Install Limitations

- Do not install your freezer in any location not properly insulated or heated e.g. garage etc. Your freezer was not designed to operate in temperature settings below 55° Fahrenheit.
- Select a suitable location for the freezer on a hard even surface away from direct sunlight or heat source e.g. radiators, baseboard heaters, cooking appliances etc. Any floor unevenness should be corrected.

Freezer Features And Use

Operating Your Freezer

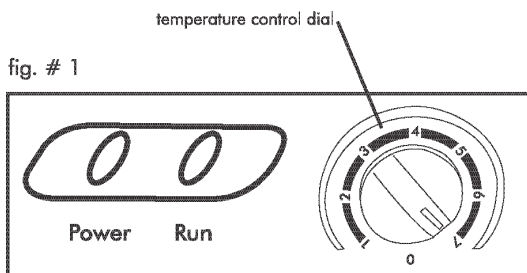
- Once the freezer is in its proper place, plug it in an electrical outlet having 220 volts and 15 amps. Turn on power switch. Power light will come on, the green "run" light will be lit indicating that the freezer compressor is in operation.
- Set the temperature, on the temperature control knob. "1" being the warmest and "7" being the coldest. Initially set the temperature on "4". Place food inside the freezer. After using the freezer for 24 hours set the freezer to your desired setting.
- In case you unplug your freezer or experience an electrical outage, allow 5 minutes before plugging it back in.

General Features

Adjustable temperature dial: (see fig. # 1)

Your freezer will automatically maintain the temperature level you select. The temperature control dial has 7 settings plus OFF. "1" is the warmest, "7" is the coldest. Turning the dial to OFF stops cooling the freezer. Set the dial to "4" and allow 24 hours to pass before adjusting the temperature to your needs.

(Note: If the freezer has been placed in a horizontal or tilted position for any period of time wait 24 hours before plugging the unit in.)



Food Storage Basket

(see fig. # 2)

- Your freezer has a basket. Removable baskets allow you to store food more accessibly or you can remove them if not needed.

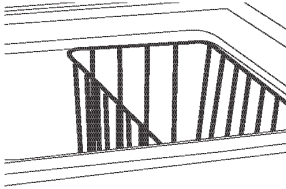


fig. # 2

Defrosting and Draining

- Defrost whenever the frost becomes 1/4" thick. Never use a sharp or metallic instrument to remove the frost, as it may damage the cooling coils. (A punctured coil will void the warranty)
- Turn the temperature control to OFF position and unplug the unit. Remove the drain plug from the inside of the freezer. Defrosting usually takes a few hours. To defrost faster keep the freezer door open.
- For draining, place a tray beneath the outer drain plug. Pull out the drain dial (see fig. #3). This will let the water flow out in the tray. When done, push the drain dial in. Re-plug the drain plug inside the freezer compartment. **Note:** monitor the container under the drain to avoid overflow.
- Wipe the interior of the freezer and replace the electrical plug in the electrical outlet.
- Reset the temperature control to the desired setting.

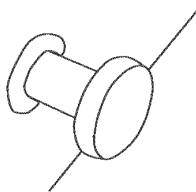


fig. # 3

Food Storage Information

Frozen Food:

- Wipe containers before storing to avoid needless spills.
- Hot food should be allowed to cool before storing in the freezer. This will prevent unnecessary energy use.
- When storing meats, keep in the original packaging or rewrap as necessary.
- Proper freezer storage requires correct packaging. All foods must be in packages, which do not allow the flow of air or moisture in, or out. Improper storage will result in odor and taste transfer and will result in the drying out of the improperly packaged food.
- Follow package or container instructions for proper storage.
- **Packaging Recommendations:**
 - Plastic containers with air tight lids
 - Heavy duty aluminum foil
 - Plastic wrap made from saran film
 - Self-sealing plastic bags
- Do not refreeze defrosted/thawed foods.
- It is recommended that the freezing date be marked on the packaging.

Normal Operating Sounds You May Hear

- Boiling water, gurgling sounds or slight vibrations that are the result of the refrigerant circulating through the cooling coils.
- The thermostat control will click when it cycles on and off.

Proper Freezer Care and Cleaning

Cleaning and Maintenance

Warning: To avoid electric shock always unplug your freezer before cleaning. Ignoring this warning may result in death or injury.

Caution: Before using cleaning products, always read and follow manufacturer's instructions and warnings to avoid personal injury or product damage.

General:

- Prepare a cleaning solution of 3-4 tablespoons of baking soda mixed with warm water. Use sponge or soft cloth, dampened with the cleaning solution, to wipe down your freezer.
- Rinse with clean warm water and dry with a soft cloth.
- Do not use harsh chemicals, abrasives, ammonia, chlorine bleach, concentrated detergents, solvents or metal scouring pads. SOME of these chemicals may dissolve, damage and/or discolor your freezer.

- Door Gaskets:**
- Clean door gaskets every three months according to general instructions. Gaskets must be kept clean and pliable to assure a proper seal.
 - Petroleum jelly applied lightly on the hinge side of gaskets will keep the gasket pliable and assure a good seal.

Power Interruptions

- Occasionally there may be power interruptions due to thunderstorms or other causes. Remove the power cord from AC outlet when a power outage occurs. When power has been restored, replugin power cord to AC outlet. If outage is for a prolonged period, inspect and discard spoiled or thawed food in freezer. Clean freezer before reusing.

Vacation and Moving Care

- For long vacations or absences, empty food from freezer, move the temperature DIAL to the OFF position and clean the door gaskets according to "General cleaning" section. Prop doors open, so air can circulate inside. When moving always move the freezer vertically. Do not move with the unit lying down. Possible damage to the sealed system could occur.

Troubleshooting

Freezer Does Not Operate:

- Check if thermostat control is not in the "OFF" position.
- Check if freezer is plugged in.
- Check if there is power at the ac outlet, by checking the circuit breaker.
- Wait for 30-40 minutes to see whether freezer will start. Compressor cycle must be complete to operate.

Food temperature appears too warm:

- Frequent door openings.
- Allow time for recently added warm food to reach freezer temperature.
- Check gaskets for proper seal.
- Clean condenser coils (for models with exposed condenser coils).
- Adjust temperature control to colder setting.

Food temperature is too cold:

- If temperature control setting is too cold, adjust to a warmer setting and allow several hours for temperature to adjust.

Freezer runs too frequently:

- This may be normal to maintain constant temperature during high temperature and humid days.
- Doors may have been opened frequently or for an extended period of time.
- Check gasket for proper seal.
- Check to see if doors are completely closed.
- Check freezer compartment for blockage from frozen food packages, containers, etc.

Freezer has an odor:

- Interior needs cleaning.
- Foods improperly wrapped or sealed are giving off odors.

Continental[®]

E l e c t r i c

MANUAL DEL USUARIO



CONGELADOR

**MODELO:
CE64731**

INSTRUCCIONES PRECAUTORIAS

Lea todas las instrucciones antes de utilizar este aparato. Cuando utilice este aparato, siempre ejerza las precauciones de seguridad básicas, incluyendo las siguientes:

1. Utilice este aparato exclusivamente para su uso especificado, según se describe en esta guía de uso y cuidados.
2. Este congelador debe ser instalado adecuadamente siguiendo las instrucciones de instalación antes de utilizarse. Observe las instrucciones para conectarlo a tierra en la sección de instalación.
3. Nunca desconecte su congelador tirando del cordón eléctrico. Sujete siempre la clavija firmemente y retírela del contacto evitando torcerla.
4. Repare o reemplace inmediatamente cualquier cordón eléctrico que muestre raspaduras o daños. No utilice ningún cordón que muestre señales de abrasión o grietas en su extensión, clavija o terminal de conexión.
5. Desconecte su congelador antes de limpiarlo o antes de hacer cualquier reparación. Nota: Si por alguna razón este producto necesita ser reparado, recomendamos fuertemente que la reparación se lleve a cabo por un técnico calificado.
6. No emplee ningún aparato eléctrico o instrumento punzocortante para descongelar su refrigerador.
7. Si su antiguo congelador no está siendo utilizado, recomendamos quitarle las puertas. Esto reducirá los riesgos de accidentes infantiles.
8. Una vez que su congelador se encuentre operando, no toque las superficies frías en el compartimento del congelador, especialmente si sus manos se encuentran húmedas o mojadas. Su piel puede adherirse a estas superficies extremadamente frías.

9. No congele alimentos que hayan sido previamente descongelados en su totalidad. El Departamento de Agricultura de los Estados Unidos, en su Boletín de Casa y Jardín No. 69 indica que: "...Usted puede volver a congelar, sin correr ningún riesgo, aquellos alimentos congelados que hayan sido descongelados y que aún contengan cristales de hielo o que aún se encuentren fríos con una temperatura por debajo de los 4,5°C (40°F)".

"...Carnes molidas, aves, o pescados descongelados que despidan olor extraño o muestren decoloración no deben volver a congelarse y no deben consumirse. El helado descongelado debe desecharse. Si el olor o color de cierto alimento es deficiente o cuestionable, deséchelo. Tal alimento podría resultar peligroso si lo ingiriese."

"...Incluso el descongelar parcialmente y volver a congelar los alimentos disminuye su calidad de consumo, especialmente si se trata de frutas, verduras y alimentos preparados. La calidad de consumo de las carnes rojas es menormente afectada en comparación a la de muchos otros alimentos. Utilice los alimentos que hayan vuelto a congelarse lo más pronto posible para evitar que sufran mayor deterioro en su calidad de consumo."

10. Este congelador no debe de ser empotrado o colocado dentro de un gabinete de cocina. Ha sido diseñado exclusivamente para ser instalado por separado.
11. No opere su congelador en la presencia de gases explosivos.

GUARDE ESTAS INSTRUCCIONES para referencia futura

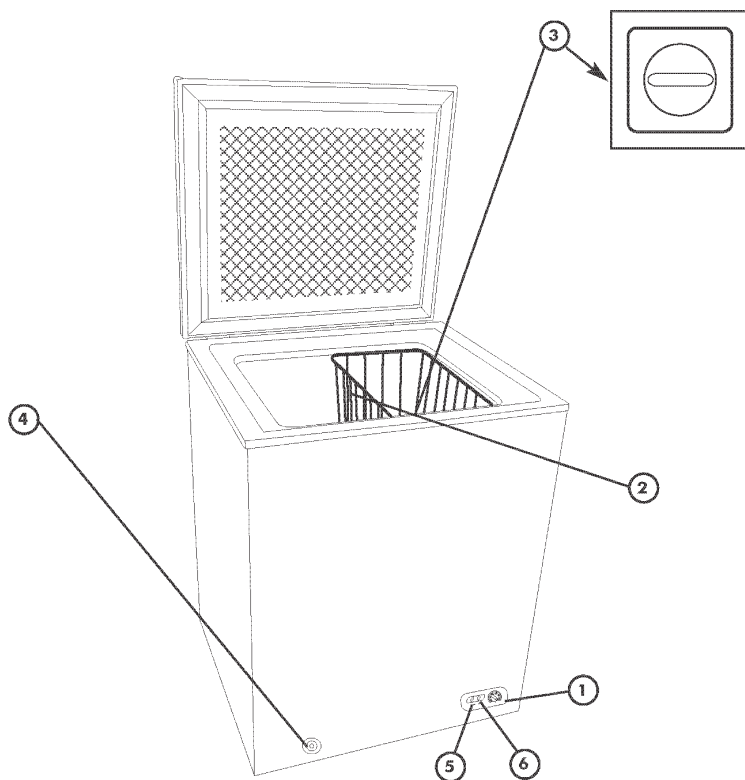
PELIGRO

Existe el riesgo de que los niños puedan quedar atrapados dentro. Antes de tirar su refrigerador o congelador, quite las puertas. Deje los anaqueles en su lugar para que los niños no puedan entrar fácilmente en el interior."

Índice

	PAGINA
Instrucciones Precautorias	1
Partes y Funciones	5
Instalación del Congelador	6
Desempaque del Congelador	6
Ajuste del Congelador	6
Circulación Apropriadada del Aire	6
Requisitos Eléctricos	7
El uso de Cuerdas de extensión	7
Limitantes de Instalación	7
Características y Uso del Congelador	8
Operación del Congelador	8
Características Generales	8
Canastas para Guardar Alimentos	9
Remoción de la Escarcha y Desagüe	9
Información Sobre el Almacenamiento de Alimentos	10
Ruido Normal de Operación	10
Limpieza y Cuidado Apropriadados del Congelador	11
Limpieza y Mantenimiento	11
Interrupciones de la Corriente Eléctrica	12
Cuidado en Vacaciones o en Mudanza	12
Resolución de Problemas	13
Información de Garantía	15

Partes y Funciones



1. Ajuste de Control de Temperatura
2. Canastas de Alambre Recubierto Con Vinilo
3. Tapón del Desagüe Interior (vea el detalle)
4. Tapón del Desagüe Exterior
5. Potencia en el indicador (rojo)
6. Compresor en el indicador (verde)

Instalación del Congelador

Desempaque del Congelador

1. Remueva todos los materiales de empaque. Estos incluyen la base de espuma y toda la cinta adhesiva que sujeta los accesorios del congelador, adentro y afuera.
2. Antes de encender el congelador, examínelo y remueva los materiales impresos, así como también cualquier residuo del empaque que haya quedado en el interior.

Ajuste del Congelador

- El congelador ha sido diseñado como una unidad autoestable, solamente. No debe instalarse en recesos o empotrado.
- Coloque el congelador sobre un piso suficientemente fuerte para sostenerlo cuando su interior está completamente lleno.
- Cuando mueva el congelador, nunca lo incline a un ángulo mayor de 45° para evitar daños al compresor o al sistema sellado.
- Si el congelador se ha inclinado, colóquelo en su posición vertical y déjelo en esta posición por lo menos por 24 horas antes de encenderlo, para permitir que el refrigerante vuelva a su condición normal.

Circulación Apropiaada del Aire

- Para asegurar que el congelador funciona con la eficiencia máxima para la que fue diseñado, debe instalarlo en un lugar de circulación apropiada de aire y que cuente con conexiones eléctricas y de plomería.
- Alrededor del congelador se recomienda dejar los espacios libres que se listan a continuación:

En los costados....4" (102 mm)
Arriba.....4" (102mm)
Detrás.....4" (102 mm)

Requisitos Eléctricos

- Asegúrese de que para enchufar el congelador cuenta con un receptáculo de corriente eléctrica apropiada (220 voltios, 15 amperios), con su debida conexión a tierra.
- Evite el uso de adaptadores de tres clavijas o el corte de la clavija a tierra, tratando de usar un receptáculo de dos clavijas. Esta es una práctica peligrosa que no permite la conexión efectiva a tierra del congelador, y que puede crear riesgos de choque eléctrico.

El uso de Cuerdas de extensión

- Evite el uso de una cuerda de la extensión a causa de peligros potenciales de seguridad bajo ciertas condiciones. Si es necesario usar una cuerda de la extensión, use sólo una cuerda de 3 alambres de extensión que tiene un de 3 hojas molió tapón y una salida de 3-slot que aceptarán el tapón. La calificación marcada de la cuerda de la extensión debe ser igual a o más que la calificación eléctrica del aparato.

Limitantes de Instalación

- No instale el congelador en un lugar que no cuente con aislación y calefacción adecuadas, como, por ejemplo, en el garaje. El congelador no ha sido diseñado para operar en temperaturas por debajo de los 55° F (12° C).
- Escoja un lugar adecuado para el congelador, con piso firme y plano, y donde quede protegido de los rayos solares directos y de fuentes de calor tales como: radiadores, registros de calefacción, aparatos de cocción, etc. Corrija cualquier desnivel o irregularidad que tenga el piso.

Características y Uso del Congelador

Operación del Congelador

- Una vez que el congelador ha sido colocado en su lugar, enchúfelo en un receptáculo eléctrico de 220 voltios y 15 amperios. Mueva el interruptor a la posición de encendido. La luz verde se encenderá indicando que el congelador está operando.
- Fije la temperatura en la perilla del control de temperatura, siendo "1" la graduación de temperatura más alta y "7" la de temperatura más fría. Inicialmente, fije la temperatura en "4". Ponga, luego, los alimentos en el congelador. Después de que el congelador ha operado por 24 horas, puede cambiar la temperatura al nivel que la desee.
- En caso de que desconecte el congelador u ocurra una falla en la corriente eléctrica, espere por 5 minutos antes de volver a conectar el congelador.

Características Generales

Dial de temperatura

ajustable: (vea fig. # 1)

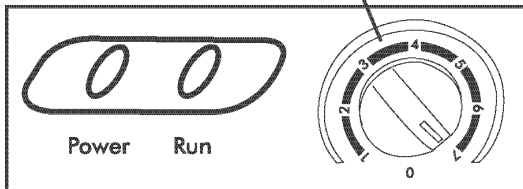
El congelador mantiene automáticamente el nivel de temperatura que usted ha escogido. El dial de control de temperatura tiene - además de la posición OFF, apagado - 7 graduaciones. "1" es el nivel de más alta temperatura y "7" el de la más fría. Al girar el dial a la posición OFF se detiene la operación de enfriamiento del congelador.

Para reiniciar la operación de la unidad, ponga el dial en "4" y espere 24 horas antes de ajustar la temperatura al nivel que la desee.

(Nota: Si el congelador ha estado en posición inclinada, u horizontal, por cualquier período de tiempo, colóquelo en su posición normal y espere 24 horas antes de poner a funcionar la unidad.)

Dial de control de temperatura

fig. # 1



Canastas para Guardar Alimentos

(vea fig. # 2)

- El congelador cuenta con a canasta. Las canastas removibles le permiten guardar los alimentos en forma más accesible o, si lo desea, puede removerlas cuando no las necesite.

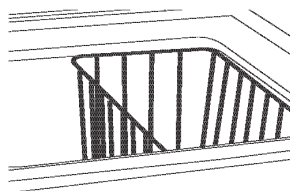


fig. # 2

Remoción de la Escharcha Desagüe

- Remueva la escarcha cuando ésta haya alcanzado un espesor de 1/4". Para esta operación nunca use instrumentos afilados o metálicos que puedan dañar un serpentín de enfriamiento (un serpentín de enfriamiento que haya sido perforado invalida la garantía).
- Coloque el control de temperatura en la posición OFF, apagado, y desenchufe la unidad. Remueva el tapón del desagüe del interior del congelador. El proceso de descongelación normalmente toma algunas horas. Para acelerarlo mantenga abierta la puerta del congelador.
- Para drenar la unidad, coloque una bandeja debajo del tapón del desagüe exterior. Hale el dial del desagüe hacia afuera (vea la figura 3) y gírelo hasta que la flecha apunte hacia abajo. Esto permitirá que el agua fluya a la bandeja. Cuando el agua termine de salir, presione hacia adentro el dial del desagüe y gírelo hasta que la flecha apunte hacia arriba. Vuelva a colocar el tapón en el desagüe, en el interior del descongelador. **Nota:** Vigile el flujo del agua a la bandeja para evitar que ésta pueda rebosar.

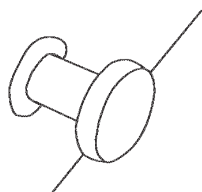


fig. # 3

Información Sobre el Almacenamiento de Alimentos

Alimentos Congelados:

- Seque los envases para evitar derrames innecesarios.
- Deje enfriar los alimentos antes de ponerlos en el congelador para evitar el uso innecesario de energía.
- Cuando guarde carnes, manténgalas en su empaque original o envuélvalas de nuevo según sea necesario.
- El almacenamiento apropiado de los alimentos en el congelador, requiere que éstos estén adecuadamente empacados. Todos los alimentos deben estar en empaques que no permitan el acceso del aire o de la humedad. El almacenamiento inadecuado de los alimentos permite la transferencia de sabores y olores y produce el ressecamiento de los alimentos que no han sido apropiadamente empacados.
- Observe las instrucciones de almacenamiento indicadas en el paquete o envase de los alimentos.
- **Tipo de Empaques Recomendados:**
 - Envases plásticos con tapa hermética
 - Empaques de hoja gruesa de aluminio para trabajo pesado
 - Membranas plásticas de envolver hechas de película de sarón
 - Bolsas de plástico con cierre incluido
- No congele alimentos que han sido descongelados
- Se recomienda que marque en el empaque la fecha en que congela el alimento

Ruido Normal de Operación

- Ruido como de agua hirviendo, sonidos como de gárgaras o pequeñas vibraciones se producen cuando el refrigerante circula por los serpentines de enfriamiento
- El termostato de control produce un "Click" cuando se cierra o se abre.

Limpieza y Cuidado Apropiados del Congelador

Limpieza y Mantenimiento

Advertencia: Para evitar choques eléctricos, desenchufe siempre el congelador antes de limpiarlo. El ignorar esta advertencia puede ocasionarle lesiones y aún la muerte.

Precaución: Antes de usar productos de limpieza, lea y observe siempre las instrucciones y advertencias del fabricante, para evitar lesiones personales o daños a la unidad.

Generales:

- Prepare una solución para limpieza de 3 o 4 cucharadas de soda de hornear disueltas en agua tibia. Para limpiar el congelador, use una esponja o un paño suave humedecido en la solución de limpieza.
- Enjuague el congelador con agua limpia, tibia, y séquelo con un paño suave.
- No use sustancias químicas fuertes, abrasivos, amoníaco, clorina, detergentes concentrados, solventes o almohadillas metálicas para fregar. ALGUNAS de estas sustancias químicas pueden disolver, dañar o manchar el congelador.

Empaques

- de la Puerta:**
- Limpie los empaques de la puerta cada 3 meses, siguiendo las instrucciones generales de limpieza. Los empaques deben mantenerse limpios y flexibles para asegurar que sellan la unidad apropiadamente.
 - Vaselina de petróleo aplicada ligeramente en el empaque, en el lado del gozne, mantiene el empaque flexible y asegura un buen sellado.

Interrupciones de la Corriente Eléctrica

- Ocasionalmente puede haber interrupciones en la corriente eléctrica debido a tempestades u otras condiciones imprevistas. Desenchufe el cable de alimentación del receptáculo de CA cuando ocurra una interrupción. Una vez restablecida la corriente vuelva a enchufar el cable de alimentación en el receptáculo de CA. Si la interrupción continúa por un período prologado, examine los alimentos y deseche los que se hayan dañado o descongelado en el congelador. Limpie el congelador antes de volverlo a usar.

Cuidado en las Vacaciones o en la Mudanza

- Cuando se ausente por vacaciones largas o ausencias prolongadas, saque todos los alimentos del congelador y mueva el Dial de temperatura a la posición OFF, para luego limpiar los empaques de la puerta de acuerdo con las instrucciones de la sección "Instrucciones Generales de Limpieza". Mantenga las puertas abiertas, de manera que el aire circule en el interior. En una mudanza, siempre coloque el congelador en posición vertical. No lo transporte con la unidad en posición horizontal. Esto puede ocasionar daños al sistema sellado de la unidad.

Resolución de Problemas

El Congelador no Funciona:

- Verifique que el termostato de control no esté en la posición "OFF".
- Verifique que el congelador esté enchufado.
- Verifique que llega corriente al receptáculo de CA, examinando el interruptor de circuito.
- Espere de 30 a 40 minutos para ver si el congelador comienza a funcionar. El ciclo del compresor debe completarse para que la unidad principie a operar.

La temperatura de los alimentos parece muy alta:

- Puede ser que abre la puerta muy frecuentemente.
- Espere algún tiempo para que alimentos que se ponen en el congelador a temperatura ambiente, alcancen la temperatura del congelador.
- Verifique que los empaques sellan adecuadamente.
- Limpie los serpentines del condensador (en aquellos modelos en los que los serpentines están al descubierto).
- Ponga el control de temperatura en una graduación de temperatura más baja.

La temperatura de los alimentos parece demasiado fría:

- Si la graduación del control de temperatura está en un punto muy bajo, ajuste el control a una temperatura menos fría y espere algunas horas para que la temperatura se estabilice al nivel deseado.

El congelador opera con demasiada frecuencia:

- Esta puede ser la operación normal del congelador para mantener una temperatura constante en días calurosos y húmedos.
- Las puertas pueden haberse abierto muy frecuentemente o por períodos prolongados de tiempo.
- Verifique que el empaque sella apropiadamente.
- Verifique que las puertas están completamente cerradas.
- Verifique que el compartimiento del congelador no está obstruido con paquetes de alimentos congelados, envases, etc.

El congelador tiene mal olor:

- El interior de la unidad puede necesitar limpieza.
- Alimentos empacados o sellados defectuosamente pueden estar despidiendo olores.